

ER-W24

Universal Yokeless Low Profile Projector Mount

Product Features:

Rail Height - 24"

EIA Compliant

Easy lift on/off wall mount plate

13 Rack Spaces

Opens from either the left or the right side

Usable depth - 19"

Standard 10-32 threading

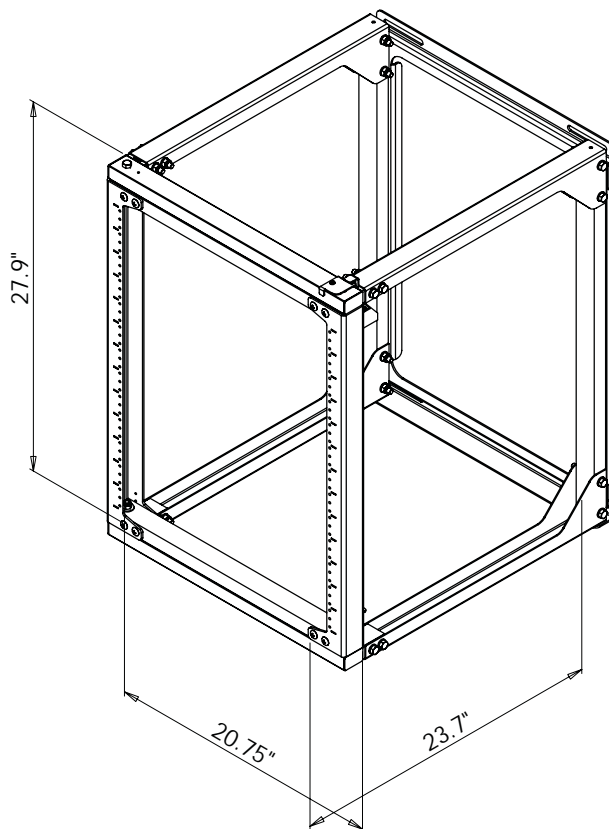
Steel and Aluminum Construction

Black Static resistant powder coat finish

Product Specifications: *(for Architects & Engineers)*

The wall mounted equipment rack shall be the Video Mount Products (VMP) ER-W24. The rack shall be capable of mounting to studs with 16" centers or other suitable mounting surfaces.

The rack shall be capable of accommodating standard 19" racking equipment. The rack rails shall be tapped with 10-32 holes in universal E.I.A spacing. The rack shall have 13 rack spaces and include 32 rack screws. The rack shall be a swing gate style which will be capable of swinging with a left or right pivot. The rack shall be constructed of steel and aluminum and have a load capacity of 100 lbs.



Video Mount Products

325 Log Canoe Circle

Stevensville, MD 21666

Phone: 410.643.6390

Fax: 410.643.6615

www.videomount.com

